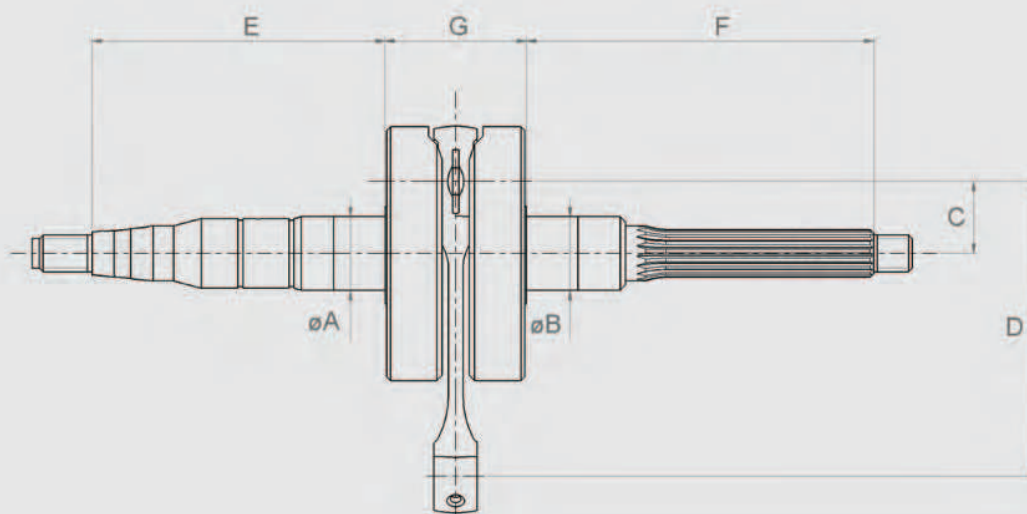


# CRANKSHAFTS / CAMBOTAS / CIGÜEÑALES



## CRANKSHAFTS / CAMBOTAS / CIGÜEÑALES

ORIGINAL

Ref.	ØA	ØB	C	D	E	F	G	Piston Bearing	Crankshaft Bearing	Bearing Details	Type of engine
6 030 001	20	20	19.6	80	94.5	79.7	37.95	10x14x13	16x22x12		Scooter
6 030 002	20	20	19.6	80	94.5	80	37.95	10x14x13	16x22x12		Scooter
6 030 003	17	17	19.5	85	71.4	46.3	42	12x15x15	16x22x12		Moto 50 cc
6 030 004	17	17	21.5	90	42	57	44	15x15x15	16x22x12		Moto 50 cc
6 030 005	17	20	20	78	90	52	38	12x15x15	16x22x12		Moped
6 030 006	20	20	19.55	76	51	66	36.8	12x15x17.5	16x22x12		Moped
6 030 007	25	25	20.60	91	83.7	85.2	43	12x17x13	16x22x12		Scooter
6 030 008	20	25	19.75	80	83.7	85	41	10x14x13	16x22x12		Scooter
6 030 009	17	20	18.7	75	51	87.5	34	10x14x13	16x22x12		Scooter
6 030 010	20	20	20.7	80	50.5	88	33.8	12x17x13	18x24x12AG		Scooter
6 030 011	25	25	18.7	75	141	120	37.7	10x14x13	16x22x12		Scooter
6 030 012	20	25	20.7	80	73.5	81.5	34	12x17x13	18x24x12AG		Scooter
6 030 013	17	20	18.7	75	51	87.5	33.9	12x17x13	18x24x12AG		Scooter
6 030 014	20	20	20.5	80	49.75	91.40	34.10	12x17x13	18x24x12AG		Scooter
6 030 016	17	17	19.5	85	53.5	35.5	32	15x15x15	16x22x12		Moto 50 cc
6 030 017	17	17	21	85	61.1	61.5	36	15x15x15	16x22x12		Moto 50 cc
6 030 018	20	20	20	80	87.85	70.3	43.1	12x15x15	16x22x12		Scooter
6 030 019	15	15	21.5	87	11.5	90	32.9	10x13x14.5	16x21x10		Moped
6 030 020	15	15	21.5	87	11.5	90	32.9	12x15x15	16x21x10		Moped
6 030 021	20	22.7	21.5	87	54	32.5	45.4	12x17x13	20x26x12AG		classic
6 030 022	20	22.7	21.5	87	52	32.5	45.5	12x17x13	20x26x12AG		Scooter
6 030 023	20	20	20	80	50.5	93.5	41	12x17x13	16x22x12		Scooter
6 030 025	20	20	19.7	80	73	90.3	40.6	10x14x13	16x22x12		Scooter
6 030 026	20	20	19.65	80	70.5	91.8	38	10x14x13	16x22x12		Scooter
6 030 027	17	17	21.5	90	63	51.5	44	12x15x15	14x18x10AG		Moped
6 030 028	17	17	21.5	90	62.7	52.5	36	12x15x15	14x18x10AG		Moped
6 030 029	20	25	18.7	75	61.5	113.7	36	10x14x13	16x22x12		Scooter
6 030 030	20	20	21.6	82	107.5	43	42	12x15x15	16x22x12		Moped
6 030 031	15	17	21.6	82	86.5	43	44.5	12x15x15	16x22x12		Moped
6 030 032	17	20	19.85	84	63	50.7	38	12x15x15	18x24x12AG		Moto 50 cc
6 030 033	20	20	19.6	80	83.5	96	37.95	10x14x13	16x22x12		Scooter
6 030 034	20	20	19.85	84	62.5	49	38	12x15x15	18x24x12AG		Moto 50 cc
6 030 035	20	20	19.85	84	67.5	48.7	45	12x15x15	18x24x12AG		Moto 50 cc
6 030 036	20	20	19.6	80	86.7	94	37.95	10x14x13	16x22x12		Scooter
6 030 038	15	15	19.85	87	38.5	50	34.2	12x15x15	16x21x10		Moto 50 cc
6 030 039	17	17	20	87	53.5	60	38.90	12x15x15	16x21x10		Moto 50 cc
6 030 041	25	25	20.7	91	77.5	45.5	40.92	12x17x13	16x22x12AG	high rpm	Moto 50 cc
6 030 042	22	28	20.7	80	77.5	46	41	12x17x13	16x22x12		Moto 50 cc

Ref.	ØA	ØB	C	D	E	F	G	Piston Bearing	Crankshaft Bearing	Bearing Details	Type of engine
6 030 043	20	25	20.7	80	82.5	86.7	41.60	12x17x13	16x22x12		Moto 50 cc
6 030 048	17	17	19.90	85	52	52	40	14x18x13	16x21x10		Moto 50 cc
6 030 051	17	20	19.55	76	56	87.75	36	12x15x17.5	14.1x20.1x12		Moped
6 030 052	17	20	19.55	76	55.5	89	36.75	12x15x17.5	16x22x12		Moped
6 030 053	17	20	19.55	76	55.5	83	36.65	12x15x17.5	16x22x12		Moped
6 030 055	15	15	21	85	52	32.5	30.1	12x15x15	16x21x10		Moto 50 cc
6 030 056	17	17	21	85	56	34.5	30.1	12x15x15	16x21x10		Moto 50 cc
6 030 057	17	17	22	85	59	73	40.5	12x15x15	16x21x10		Moto 50 cc
6 030 060	17	15	20.9	85	53.5	80	38.8	12x15x15	16x21x10		Moto 50 cc
6 030 061	17	15	20.9	91	53.5	100.5	38.8	12x15x15	16x21x10		Moto 50 cc
6 030 062	20	25	19.8	80	56	108	40	10x14x13	18x24x12AG		Scooter
6 030 065	20	20	20	90	57	48	46	12x15x15	16x22x12		Moto 50 cc
6 030 066	20	20	20	90	57	48	46	12x15x15	16x22x12		Moto 50 cc
6 030 067	15	15	19.85	87	50.5	36	34.2	12x15x15	16x21x10		Moto 50 cc
6 030 069	20	20	24.8	91	67.5	101,4	41	12x17x13	18x24x12AG		Maxi Scooter
6 030 071	17	15	20.9	91	53,5	80	37,8	12x15x15	16x21x10		Moto 50 cc
6 030 072	16	16	20.9	85	63	68	40	13x16x14	15.2x22.2x12		Moped
6 030 075	17	17	21	89.6	55.5	42	43	12x15x15	16x22x12AG	high rpm	Moto 50 cc
6 030 076	20	20	20.75	80	68	92.5	41	12x17x13	18x24x12AG		Scooter
6 030 078	20	25	18.7	80	60,3	108.7	38	12x16x16	18x24x12AG		Scooter
6 030 079	20	20	21.5	82	43	120	42	12x15x15	16x22x12		Moped
6 030 080	20	25	18,7	75	61.5	109,7	36	10x14x13	16x22x12		Scooter
6 030 081	20	17	25,5	97	52	23,7	45,5	15x19x20	20x26x12AG		classic
6 030 082	20	17	25,5	97	54	23,5	45,5	15x19x20	20x26x12AG		classic
6 030 083	20	20	20	90	57	60,5	46	12x15x15	16x22x12		Moto 50 cc
6 030 084	15	15	21	85	51	80.5	30.3	12x15x15	16x21x10		Moto 50 cc
6 030 085	25	25	20.75	80	68	93	41	12x17x13	18x24x12AG		Scooter
6 030 087	20	25	20.7	80	73,5	95	34	12x17x13	18x24x12AG		Scooter
6 030 088	20	25	18,7	80	60,4	112,5	38	12x16x16	18x24x12AG		Scooter
6 030 089	20	30	18,7	74,75	60	102	35	10x14x13	16x22x12		Scooter
6 030 090	20	20	18,7	75	89	92,4	38,7	10x14x13	16x22x12		Scooter
6 030 096	25	25	25,35	105	63	59,5	57,8	16x21x19.6	22x29x17AG	high rpm	Moto 125 cc
6 030 097	20	20	19.7	80	73.5	69.5	41	10x14x13	16x22x12		Scooter
6 030 100	17	17	21,55	90	51	74	35,75	12x15x15	16x21x10		Moped
6 030 102	20	20	20	90	57	50	46	12x15x15	16x22x12		Moto 50 cc
6 030 103	20	25	18.7	75	62	112.5	36	10x14x13	16x22x12		Scooter
6 030 104	20	20	20.7	80	50	86	34	12x17x13	18x24x12AG		Scooter
6 030 106	20	20	19.6	80	75.5	95.5	38	10x14x13	16x22x12		Scooter
6 030 108	20	25	18.7	75	62	113	36	10x14x13	16x22x12		Scooter
6 030 109	25	25	24.8	91	68	104.5	41	13x18x15	18x24x12AG		Maxi Scooter
6 030 113	20	25	18.7	80	60	112.5	38	12x16x16	18x24x12AG		Scooter
6 030 115	20	25	18.7	80	61.5	113.5	36	10x14x13	16x22x12		Scooter
6 030 117	25	25	26	105	63.5	102.3	47.5	16x20x20	20x26x15AG	high rpm	Maxi Scooter
6 030 118	20	20	19,6	80	75,5	85,5	38	12x16x15	16x22x12		Scooter
6 030 119	17	20	20,8	80	83,5	91,5	42,2	-----	23.1x28.1x14 AG		Scooter
6 030 120	20	20	23	78,3	88	98	42,5	-----	18x24x12 AG		Scooter
6 030 121	20	20	19,7	80	93	50,5	41	12x17x13	16x22x12 AG		Scooter
6 030 122	17	20	20,8	80	83,5	91,5	42,2	-----	23.1x28.1x14 AG		Scooter
6 030 123	32	32	25	99	85,5	107,6	48	-----	26x33x15 AG		Maxi Scooter

## CRANKSHAFTS / CAMBOTAS / CIGÜEÑALES

## RACING

Ref.	ØA	ØB	C	D	E	F	G	Piston Bearing	Crankshaft Bearing	Bearing Details	Type of engine
6 031 001	20	20	19.6	80	94.5	79.7	37.95	10X14X13	16X22X12AG		Scooter
6 031 002	20	20	19.6	80	94.5	80	37.95	10X14X13	16X22X12AG		Scooter
6 031 003	17	17	19.5	85	71.4	46.3	42	12x17x15	16x22x12AG		Moto 50 cc
6 031 004	20	17	19,5	85	71,4	46,3	42	12x17x15	16x22x12 AG	high rpm	Moto 50 cc
6 031 005	17	20	20	78	90	52	38	12x15x15	16x22x12AG		Moped
6 031 006	20	20	19.55	76	51	66	36.6	12x15x17.5	16x22x12AG		Moped
6 031 014	20	20	20.5	80	49.75	91.40	34.10	12X17X13	18x24x12AG		Scooter
6 031 018	20	20	20	80	87.85	70.3	43.1	12X15X15	16X22X12AG		Scooter
6 031 019	15	15	21.5	87	11.5	91.5	32.9	10x13x14.5	16x21x10AG		Moped
6 031 020	15	15	21.5	87	11.5	91.5	32.9	12x15x15	16x21x10AG		Moped
6 031 023	20	20	20	80	50.5	93.5	41	12X17X13	16X22X12AG		Scooter
6 031 026	20	20	19.65	80	70.5	91.8	38	10X14X13	16X22X12AG		Scooter
6 031 027	17	17	21.5	90	63	51.5	44	12x15x15	14x18x10AG		Moped
6 031 029	20	25	18.7	75	61.5	113.7	36	10X14X13	16X22X12AG		Scooter
6 031 049	16	16	20.9	85	63	68	40	13x16x14	16x22x12AG		Moped
6 031 051	17	20	19.55	76	56	87.75	36.97	12x15x17.5	16x22x12AG		Moped
6 031 052	17	20	19.55	76	55.5	89	36.75	12x15x17.5	16x22x12AG		Moped
6 031 053	17	20	19.55	76	55.5	83	36.65	12x15x17.5	16x22x12AG		Moped
6 031 064	20	20	19	80	63.5	55	41	12x16x16	16x22x12AG		Moto 50 cc
6 031 065	20	20	20	90	57	48	46	12x17x15	16x22x12AG		Moto 50 cc
6 031 070	20	20	19.6	76	51	76	36,5	12x15x17.5	16x22x12AG		Moped
6 031 072	16	16	20,9	85	63	68	40	13x16x14	16x22x12AG		Moped
6 031 083	20	20	20	90	57	60.5	46	12x17x15	16x22x12AG		Moto 50 cc
6 031 106	20	20	19,6	80	75,5	95,5	38	10X14X13	16X22X12AG		Scooter
6 031 145	20	20	20	80	77	91,3	43	12X16X16	16X22X12AG		Scooter

## CRANKSHAFTS / CAMBOTAS / CIGÜEÑALES

## SUPER

Ref.	ØA	ØB	C	D	E	F	G	Piston Bearing	Crankshaft Bearing	Bearing Details	Type of engine
6 032 021	20	22,7	21,5	87	54	32,5	45,4	12x17x13	20x26x12 AG		Classic
6 032 081	20	17	25,5	97	52	23,7	45,5	15x19x20	20x26x12AG		Classic
6 032 082	20	17	25,5	97	54	23,5	45,5	15x19x20	20x26x12 AG		Classic
6 032 146	25	25	28,5	110	61	42,4	47	16x20x20	22x29x16 AG	high rpm	Classic
6 032 147	25	25	30	110	61	42,4	47	16x20x20	22x29x16 AG	high rpm	Classic
6 032 156	25	25	28,5	105	61	44	47	15x19x20	22x29x16 AG	high rpm	Classic

## CRANKSHAFTS / CAMBOTAS / CIGÜEÑALES

## EVOLUTION NG

Ref.	ØA	ØB	C	D	E	F	G	Piston Bearing	Crankshaft Bearing	Bearing Details	Type of engine
6 034 001	20	20	19.6	80	94.5	79.7	37.95	10x14x13	16x22x12AG	high rpm	Scooter
6 034 002	20	20	19.6	80	94.5	80	37.95	10x14x13	16x22x12AG	high rpm	Scooter
6 034 003	17	17	19.5	85	71	46.3	42	12x17x15	16x22x12AG	high rpm; loose needles	Moto 50 cc
6 034 006	20	20	19.55	76	51	66	36.8	12x15x17.5	16x22x12AG	high rpm	Moped
6 034 018	20	20	20	80	87.85	70.3	43.1	12x15x15	16x22x12AG	high rpm	Scooter
6 034 023	20	20	20	80	50.5	93.5	41	12x17x13	16x22x12AG	high rpm	Scooter
6 034 026	20	20	19.65	80	70.5	91.8	38	10x14x13	16x22x12AG	high rpm	Scooter
6 034 029	20	25	18,7	75	61,5	113,7	36	10x14x13	16x22x12AG	high rpm	Scooter
6 034 035	20	20	19.85	84	67.5	48,7	45	15x15x17.5	18x24x12AG		Moto 50 cc
6 034 041	25	25	20,7	91	77,5	45,5	40,92	12x17x13	16x22x12AG	high rpm; loose needles	Moto 50 cc
6 034 051	17	20	19.55	76	56	87.75	36.97	12x15x17.5	16x22x12AG	high rpm	Moped
6 034 052	17	20	19.55	76	55.5	89	36.75	12x15x17.5	16x22x12AG	high rpm	Moped
6 034 053	17	20	19.55	76	55.5	83	36.65	12x15x17.5	16x22x12AG	high rpm	Moped
6 034 065	20	20	20	90	57	48	46	12x17x1	16x22x12AG	high rpm; loose needles	Moto 50 cc
6 034 072	16	16	20,9	85	63	68	40	13x16x14	16x22x12AG	high rpm	Moped
6 034 078	20	25	18,7	80	60,3	108,7	38	12x16x16	18x24x12AG		Scooter
6 034 083	20	20	20	90	57	60.5	46	12X17X15	16x22x12AG	high rpm; loose needles	Moto 50 cc
6 034 085	25	25	20,75	80	68	93	41	12x17x13	18x24x12AG		Scooter
6 034 088	20	25	18,7	80	60,4	112,5	38	12x16x16	18x24x12AG		Scooter
6 034 090	20	20	18,7	75	89	92,4	38,7	10x14x13	16x22x12AG	high rpm	Scooter
6 034 102	20	20	20	90	57	50	46	12X17X15	16x22x12AG	high rpm; loose needles	Moto 50 cc
6 034 106	20	20	19.6	80	75.5	95.5	38	10x14x13	16x22x12AG	high rpm	Scooter
6 034 107	20	20	22	85	51,2	93,2	41	12x16x15	16x22x12AG	high rpm; loose needles	Scooter
6 034 118	20	20	19,6	80	75,5	95,5	38	12x16x16	16x22x12AG	high rpm	Scooter
6 034 145	20	20	20	80	77	91,3	43	12x16x16	16x22x12AG	high rpm	Scooter
6 034 148	25	25	29	107	94,6	45,7	59	16x20x20	22x29x15 AG	high rpm	Classic
6 034 155	15	15	22	85	59,4	65,6	34,4	12x15x15	14x18x10		Moto 50 cc
6 034 501	20	20	19.6	80	94.5	79.7	37.95	12x15x15	16x22x12AG	high rpm; loose needles	Scooter
6 034 502	20	20	19.6	80	94.5	80	37.95	12x15x15	16x22x12AG	high rpm	Scooter

**CRANKSHAFTS / CAMBOTAS / CIGÜEÑALES**
**EVOLUTION NG SPECIAL**

Ref.	ØA	ØB	C	D	E	F	G	Piston Bearing	Crankshaft Bearing	Bearing Details	Type of engine
6 036 001	20	20	21	85	71,4	46,3	42	12x17x15	16x22x12 AG	high rpm; loose needles	Moto 50 cc
6 036 002	20	20	22,25	85	71,4	46,3	42	12x17x15	16x22x12 AG	high rpm; loose needles	
6 036 003	20	20	19,5	85	71,4	46,3	42	12x17x15	16x22x12 AG	high rpm; loose needles	
6 036 004	20	17	19,5	85	71,4	46,3	42	12x17x15	16x22x12 AG	high rpm; loose needles	
6 036 035	20	20	21,5	84	67,5	48,7	45	12x15x17,5	18x24x12AG		Moto 50 cc
6 036 065	20	20	21	90	57	48	46	12x17x15	16x22x12 AG	high rpm; loose needles	Moto 50 cc
6 036 066	20	20	21,5	90	57	48	46	12x17x15	16x22x12 AG	high rpm; loose needles	Moto 50 cc
6 036 083	20	20	21	90	57	60,5	46	12x17x15	16x22x12 AG	high rpm; loose needles	Moto 50 cc
6 036 084	20	20	21,5	90	57	60,5	46	12x17x15	16x22x12 AG	high rpm; loose needles	Moto 50 cc
6 038 023	25	25	27	105	64,25	102,3	47,5	16x20x20	20x26x15AG	high rpm; loose needles	Maxi Scooter
6 038 024	25	25	27,5	105	64,25	102,3	47,5	16x20x20	20x26x15AG	high rpm; loose needles	Maxi Scooter
6 038 148	25	25	30	107	94,6	45,7	59	16x20x20	22x29x15 AG	high rpm	Classic

**CRANKSHAFTS / CAMBOTAS / CIGÜEÑALES**
**HIGH TECH**

Ref.	ØA	ØB	C	D	E	F	G	Piston Bearing	Crankshaft Bearing	Bearing Details	Type of engine
6 037 001	20	20	19,6	80	94,5	79,7	37,95	10x14x13	16x22x12 AG	high rpm; loose needles	Scooter
6 037 002	20	20	19,6	80	94,5	79,7	37,95	10x14x13	16x22x12 AG	high rpm; loose needles	Scooter
6 037 003	20	20	19,5	85	71,4	46,3	42	12x17x15	16x22x12 AG	high rpm; loose needles	Moto 50 cc
6 037 018	20	20	20	80	87,85	70,3	43,1	12x15x15	16x22x12 AG	high rpm; loose needles	Scooter
6 037 023	20	20	20	80	50,5	93,5	41	12x17x13	16x22x12 AG	high rpm; loose needles	Scooter
6 037 065	20	20	20	90	57	48	46	12x17x15	16x22x12 AG	high rpm; loose needles	Moto 50 cc
6 037 083	20	20	20	90	57	60,5	46	12x17x15	16x22x12 AG	high rpm; loose needles	Moto 50 cc
6 037 102	20	20	20	90	57	50	46	12x17x15	16x22x12 AG	high rpm; loose needles	Moto 50 cc
6 037 501	20	20	19,6	80	94,5	79,7	37,95	12x15x15	16x22x12 AG	high rpm; loose needles	Scooter
6 037 502	20	20	19,6	80	94,5	79,7	37,95	12x15x15	16x22x12 AG	high rpm; loose needles	Scooter

